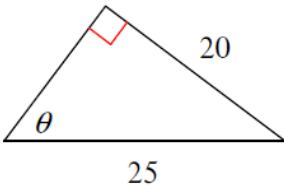
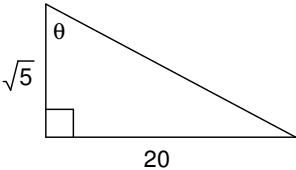
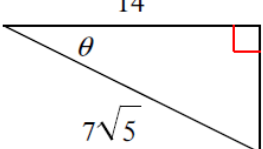
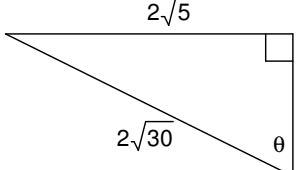
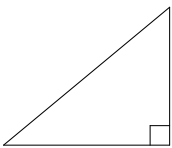
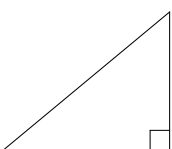
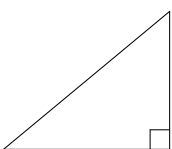


5 -2 Trigonometric Ratios in Right Triangles Worksheet

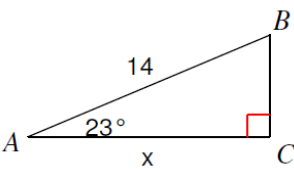
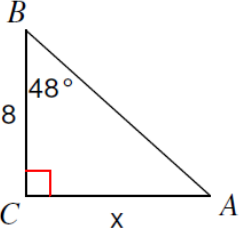
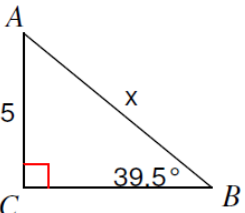
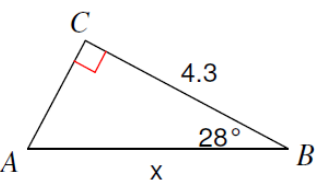
Complete the chart below about each given right triangle. Keeps answers completely simplified!

Given Right Triangle	Work to Find Missing Side	THREE trig ratios for angle θ
1. 		
2. 		
3. 		
4. 		

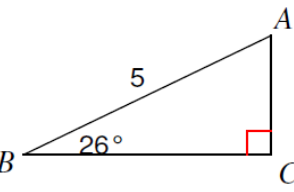
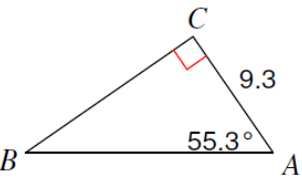
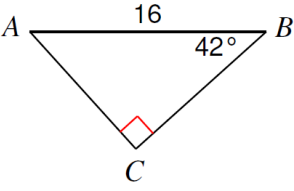
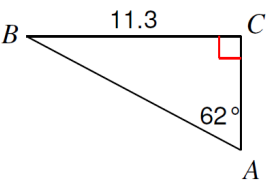
Complete the chart below each given ratio. Make sure to label angle θ on the given triangle.

Given Trig Ratio	Label Triangle and Work for Missing Side	Other two trig ratios for angle θ
5. $\sin \theta = \frac{5}{13}$		
6. $\cos \theta = \frac{\sqrt{17}}{9}$		
7. $\tan \theta = \frac{4\sqrt{2}}{7}$		

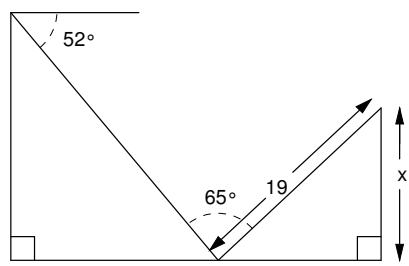
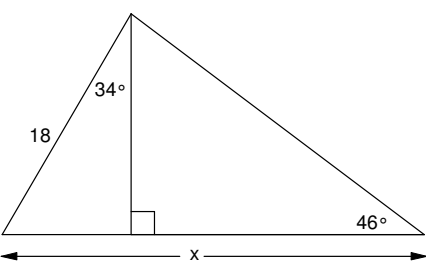
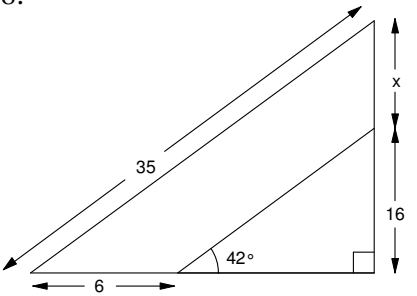
Find the length of missing side x . Must show work!

<p>8.</p> 	<p>9.</p> 	<p>10.</p> 	<p>11.</p> 
---	---	---	--

Solve each triangle below. Must show work!

<p>12.</p> 	<p>13.</p> 	<p>14.</p> 	<p>15.</p> 
--	--	---	--

Determine the value of side x . Must show work!

<p>16.</p> 	<p>17.</p> 	<p>18.</p> 
--	---	--